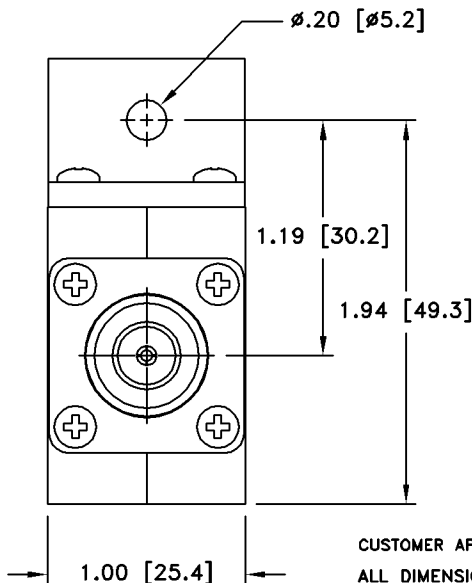
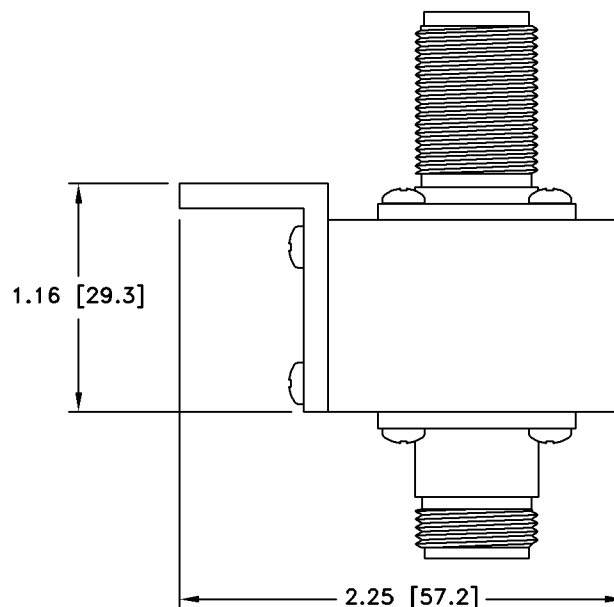
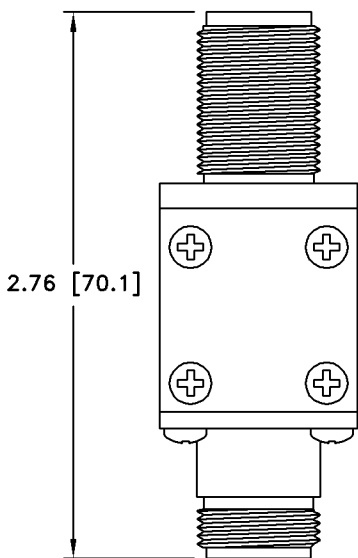
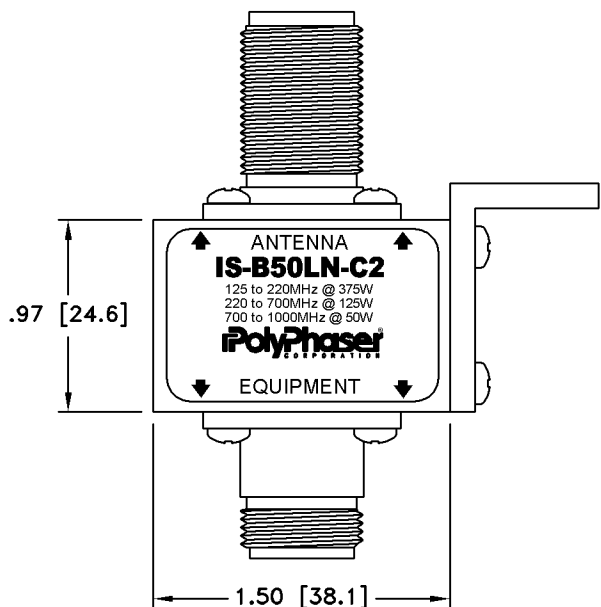


ALL DESIGN, OPERATIVE AND PROCESS DATA PERTAINING TO THE ARTICLE SHOWN ON THIS SHEET IS THE PROPERTY OF POLYPHASER CORPORATION. THE INFORMATION IS NOT TO BE COPIED, REPRODUCED, REVEALED TO OR APPROPRIATED BY OTHERS WITHOUT THE EXPRESS WRITTEN CONSENT OF POLYPHASER CORPORATION.

*These commodities or technology are exported from the U.S. in accordance with the Export Administration Regulations. Diversion contrary to U.S. law prohibited.*

REVISIONS				
REV LTR	DATE	ENG	MKTG	Q.A.
F	03/05/07	AD	-	-



CUSTOMER APPROVAL: \_\_\_\_\_ DATE: \_\_\_\_\_  
 ALL DIMENSIONS SHOWN ABOVE ARE FOR REFERENCE ONLY.

MAXIMUM CHARACTERISTICS
APPLICATION: BULKHEAD MOUNT
FREQUENCY RANGE: 125MHz TO 1GHz
VSWR: ≤1.1:1 OVER FREQUENCY RANGE
INSERTION LOSS: ≤0.1dB OVER FREQUENCY RANGE
MAX POWER: 375W @ 125MHz DECREASING TO 50W @ 1GHz
TURN-ON: 600Vdc±20%
THROUGHPUT ENERGY: ≤220μJ FOR 8/20μs WAVEFORM
OPERATING TEMPERATURE: -55°C TO +50°C
STORAGE TEMPERATURE: -55°C TO +85°C
RELATIVE HUMIDITY: 90% AT 40°C
VIBRATION 1G AT 5Hz TO 100Hz

DRAFTER M. JOHNSON	DATE 07/11/94
MECH ENGINEER - - - -	DATE - - - -
ELEC ENGINEER K. BARTEL	DATE 05/01/95
MARKETING - - - -	DATE - - - -
QUALITY DEPT R. MATHEUS	DATE 05/01/95

**PolyPhaser**

P.O. BOX 9000 MINDEN, NV 89423 TEL: 775-782-2511 FAX: 775-782-4476  
 DWG NO/PART NO/DESCRIPTION

**IS-B50LN-C2**  
 CUSTOMER PRINT

CAGE CODE 61114	FILE NAME -C1	SCALE 1/1	SHEET 1 OF 1
--------------------	------------------	--------------	-----------------